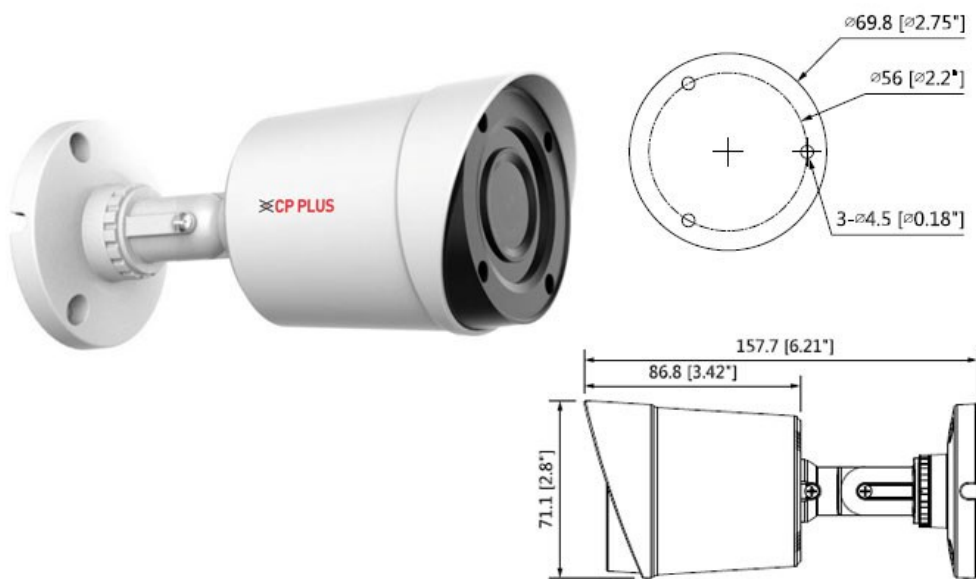


CP- USC-TA13L2

1.3 MP IR Cosmic Bullet Camera - 20Mtr.



Main Features

- 1/3" 1.3MP CMOS Image Sensor
- Max 25/30fps@1.3MP
- DWDR, Day/Night(ICR),2D-DNR, AWB, AGC, BLC, HLC
- 3.6mm fixed lens (2.8mm, 6mm optional)
- IR Range of 20 Mtrs.
- OSD Menu, control over coaxial cable, 2D-DNR
- HD and SD output switchable
- IP67



*Product casing and specifications are subject to change without prior notice

CP- USC-TA13L2

1.3 MP IR Cosmic Bullet Camera - 20Mtr.



Feature

Image Sensor
Minimum Illumination
Shutter Speed
Lens
Back Light Compensation
AGC Control
S/N Ratio
Video Streaming
Video Output
ICR
OSD
IR
Operating Temperature
Power Source
Power Consumption
Weatherproof Standard
Dimension
Weight

Specification

1/3" 1.3MP CMOS Image Sensor
0.05Lux/F2.0, 0Lux IR on
PAL: 1/25~1/100000s , NTSC: 1/30~1/100000s
3.6mm (2.8mm, 6mm optional)
BLC / HLC / DWDR
Auto/ Manual
More than 65dB
1.3MP@25 fps
1-channel BNC high definition video output/ CVBS standard definition video output (Can switch)
Auto (ICR) / Manual
Multi-language
IR Range of 20 Mtr.
-40°C~+60°C / Less than 90%RH
DC12V±25%
Max 2.8W (12V DC, IR on)
IP67
157.7mm × 69.8mm × 71.1mm
0.2 Kg.